

Data Sheet

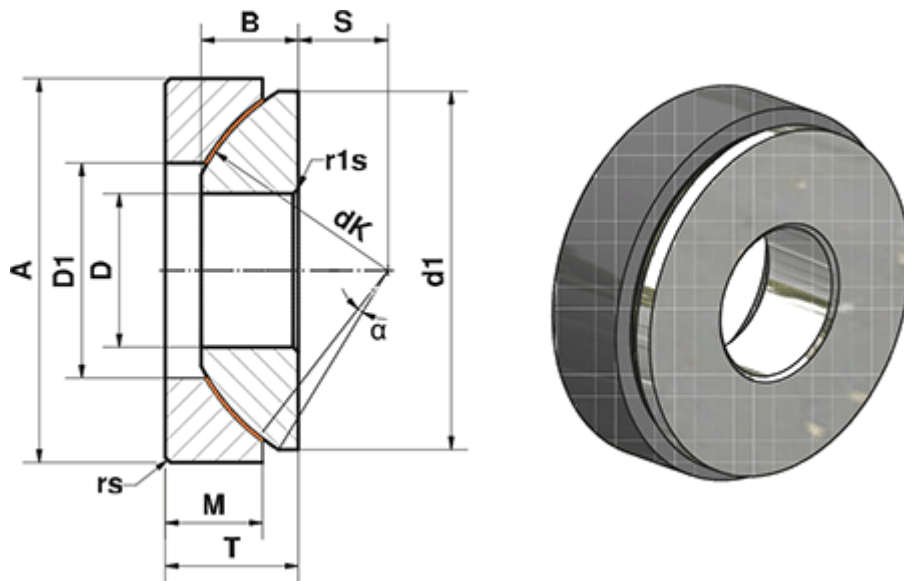


Article number: 03450300

Description: Fluro Heavy Duty Spherical Plain Bearing GE 300 AWE
Hole \varnothing 300

Note: 300

Measures



A	= 480	M	= 90
a (degrees)	= 3.5	rs, r1s min	= 3
B	= 100	S	= 80
D	= 300	Static load C0 (kN)	= 28809
D1	= 356	T	= 110
d1 min	= 460	Weight (g)	= 88900
dK	= 490		
Dynamic load C (kN)	= 17285		